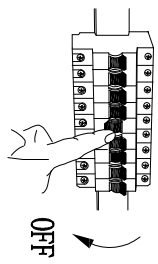
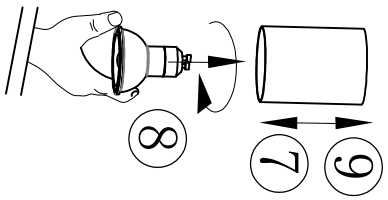
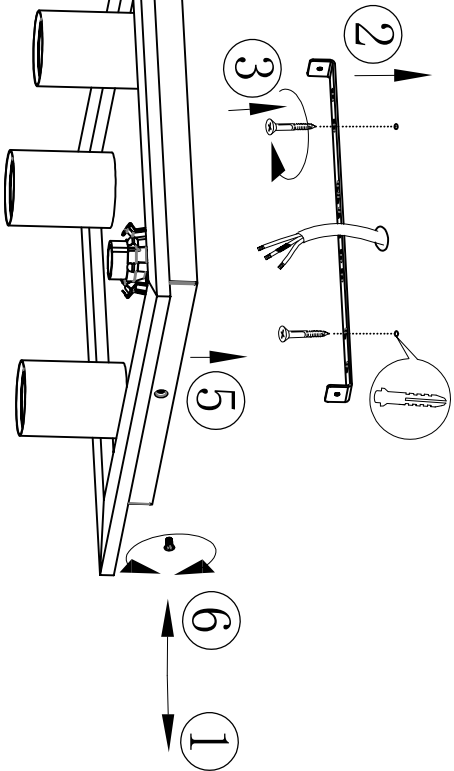
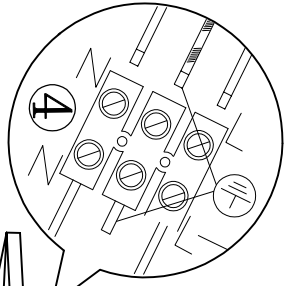
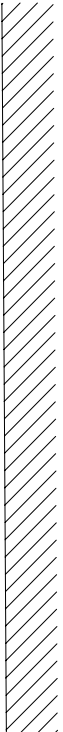
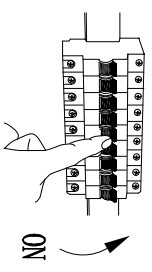


**A****B****C**

**BLA900435**  
[www.eglo.com](http://www.eglo.com)